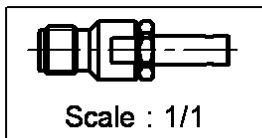
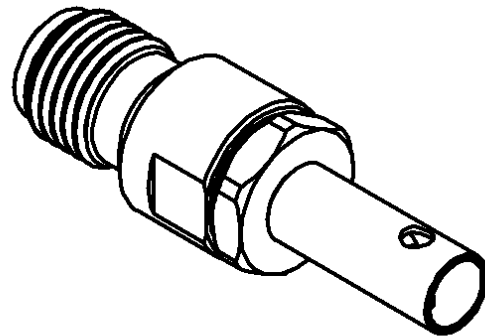
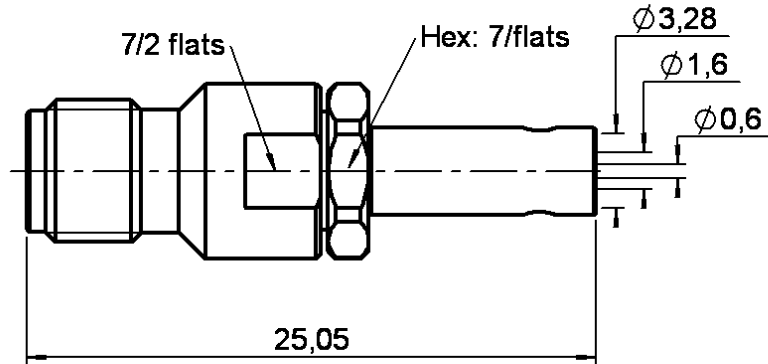


STRAIGHT JACK CRIMP OR SOLDER TYPE

R125.236.001

CABLE 2.6/50 S

Series : SMA



All dimensions are in mm.



COMPONENTS	MATERIALS	PLATINGS (µm)
BODY	STAINLESS STEEL	PASSIVATED .
CENTER CONTACT	BERYLLIUM COPPER	GOLD 1.3 OVER NICKEL 2
OUTER CONTACT	-	-
INSULATOR	PTFE	-
GASKET	-	-
OTHERS PARTS	BRASS	NICKEL 2
-	-	-
-	-	-

Issue : 0220 E

In the effort to improve our products, we reserve the right to make changes judged to be necessary.



STRAIGHT JACK CRIMP OR SOLDER TYPE

R125.236.001

CABLE 2.6/50 S

Series : SMA

PACKAGING

Standard	Unit	Other
1	-	Contact us

SPECIFICATION

ELECTRICAL CHARACTERISTICS

Impedance		50	Ω
Frequency		0-12.4	GHz
VSWR	1.15 +	0.020	x F(GHz) Maxi
Insertion loss		0.06	\sqrt{F} (GHz) dB Maxi
RF leakage	- (60	- F(GHz)) dB Maxi
Voltage rating		250	Veff Maxi
Dielectric withstanding voltage		750	Veff mini
Insulation resistance		5000	M Ω mini

CABLE ASSEMBLY

Stripping	a	b	c	d	e	f
mm	3.50	7.00	13.5	0.00	10.0	0.00

Assembly instruction : **Crimp 10**

Recommended cable(s)
 RG 316
 KX 22A
 RG 188

Cable retention
 - pull off **90** N mini
 - torque **NA** N.cm

MECHANICAL CHARACTERISTICS

Center contact retention			
Axial force – Mating end		27	N mini
Axial force – Opposite end		27	N mini
Torque		NA	N.cm mini

TOOLING

Part Number	Description	Hexagon
.	.	.
R282.211.000	CRIMPING TOOL	3.84
R282.235.003	CRIMPING DIES	3.84
R282.293.000	CRIMPING TOOL	-

Recommended torque			
Mating		NA	N.cm
Panel nut		NA	N.cm
Clamp nut		100	N.cm
A/F clamp nut		7.000	mm

OTHERS CHARACTERISTICS

Mating life		500	Cycles mini
Weight		3.670	g

ENVIRONMENTAL

Operating temperature		-65/+165	$^{\circ}$ C
Hermetic seal		NA	Atm.cm3/s
Panel leakage		NA	

Issue : 0220 E

In the effort to improve our products, we reserve the right to make changes judged to be necessary.

